


Incremental Encoder

DFS60B- BZPZ0-S01

	Number of lines
	1,024
Incremental Encoder	

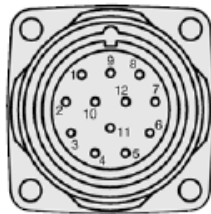
Features

- Electrical Interface 5...32 V, TTL/HTL programmable
- Blind hollow shaft, \varnothing 12 mm
- REO flange adapter 2048948 BEF-FA-REO1112 premounted
- Connector M23, 12 pin, radial
- Connector M23 female 6027538 DOS-2312-G included in delivery
- Number of lines: 1,024



PIN allocation

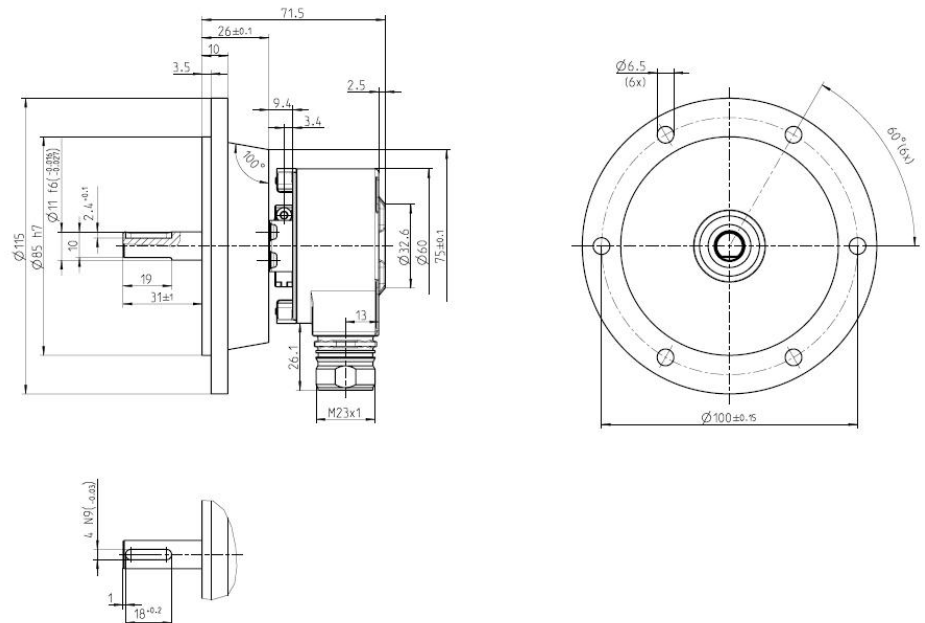
PIN	Signal TTL/HTL	Explanation
1	B ₋	Signal line
2	N.C.	Not connected
3	Z	Signal line
4	Z ₋	Signal line
5	A	Signal line
6	A ₋	Signal line
7	N.C.	Not connected
8	B	Signal line
9	N.C.	Not connected
10	GND	Ground connection of the encoder
11	N.C.	Not connected
12	+U _s	Supply voltage ¹⁾
Screen	Screen	Screen on the encoder side connected to the housing. On the control side connected to earth.



¹⁾ Potential free to housing

View of the connector M23 fitted to the encoder body

Dimensional drawing



Order information

Type	Part no.
DFS60B-BZPZ0-S01	1037711

Technical Data acc. to DIN 32878		DFS60B- BZPZ0- S01
Blind hollow shaft diameter		12 mm
Electrical Interface		5...32V, TTL/HTL programmable
Number of lines per revolution		1,024
Mass		0.2 kg
Moment of inertia of the rotor		40 gcm ²
Measuring step		90°/number of lines electr.
Reference signal		
Number		1
Position		90° electrical gated with A and B
Error limits		± 0.05°
Measuring step deviation		
Number of lines 100...10.000		± 0.01°
Max. output frequency TTL/HTL programmable		600 kHz
Operating speed ¹⁾		6,000 rpm
Angular acceleration		5 x 10 ⁵ rad/s ²
Operating torque	at 20 °C	0.6 Ncm
Starting torque	at 20 °C	0.8 Ncm
Permissible shaft loading	radial	100 N
	axial	100 N
Bearing lifetime		3.6 x 10 ⁹ revolutions
Working temperature range		- 20 ... + 100 °C
Storage temperature range (without package)		- 40 ... + 100 °C
Permissible relative humidity ²⁾		90 %
EMC ³⁾		
Resistance to shocks ⁴⁾		70g/6 ms
Resistance to vibration ⁵⁾		30 g/10 ... 2,000 Hz
Protection class acc. IEC 60529		IP 65
Load current		30 mA
No-load operating current		60 mA
Initialisation time after power on		Max. 30 ms

¹⁾ Self-warming 3.3K/1,000 min⁻¹ when applying, note working temperature range.
for the dimensioning please observe the working temperature range

²⁾ Condensation of the optical scanning not permitted

³⁾ Acc. EN 61000-6-2 and EN 61000-6-4

⁴⁾ Acc. EN 60068-2-27

⁵⁾ Acc. EN 60068-2-6

Australia

Phone +61 3 9457 0600
1800 334 802 – tollfree
E-Mail sales@sick.com.au

Belgium/Luxembourg

Phone +32 (0)2 466 55 66
E-Mail info@sick.be

Brasil

Phone +55 11 3215-4900
E-Mail sac@sick.com.br

Canada

Phone +1 905 771 14 44
E-Mail information@sick.com

Ceská Republika

Phone +420 2 57 91 18 50
E-Mail sick@sick.cz

China

Phone +86 4000 121 000
E-Mail info.china@sick.net.cn
Phone +852-2153 6300
E-Mail ghk@sick.com.hk

Danmark

Phone +45 45 82 64 00
E-Mail sick@sick.dk

Deutschland

Phone +49 211 5301-301
E-Mail kundenservice@sick.de

España

Phone +34 93 480 31 00
E-Mail info@sick.es

France

Phone +33 1 64 62 35 00
E-Mail info@sick.fr

Great Britain

Phone +44 (0)1727 831121
E-Mail info@sick.co.uk

India

Phone +91-22-4033 8333
E-Mail info@sick-india.com

Israel

Phone +972-4-6801000
E-Mail info@sick-sensors.com

Italia

Phone +39 02 27 43 41
E-Mail info@sick.it

Japan

Phone +81 (0)3 3358 1341
E-Mail support@sick.jp

Magyarország

Phone +36 1 371 2680
E-Mail office@sick.hu

Nederlands

Phone +31 (0)30 229 25 44
E-Mail info@sick.nl

Norge

Phone +47 67 81 50 00
E-Mail austefjord@sick.no

Österreich

Phone +43 (0)22 36 62 28 8-0
E-Mail office@sick.at

Polska

Phone +48 22 837 40 50
E-Mail info@sick.pl

România

Phone +40 356 171 120
E-Mail office@sick.ro

Russia

Phone +7-495-775-05-30
E-Mail info@sick.ru

Schweiz

Phone +41 41 619 29 39
E-Mail contact@sick.ch

Singapore

Phone +65 6744 3732
E-Mail admin@sicksgp.com.sg

Slovenija

Phone +386 (0)1-47 69 990
E-Mail office@sick.si

South Africa

Phone +27 11 472 3733
E-Mail info@sickautomation.co.za

South Korea

Phone +82 2 786 6321/4
E-Mail info@sickkorea.net

Suomi

Phone +358-9-25 15 800
E-Mail sick@sick.fi

Sverige

Phone +46 10 110 10 00
E-Mail info@sick.se

Taiwan

Phone +886-2-2375-6288
E-Mail sales@sick.com.tw

Türkiye

Phone +90 (216) 528 50 00
E-Mail info@sick.com.tr

United Arab Emirates

Phone +971 (0) 4 8865 878
E-Mail info@sick.ae

USA/México

Phone +1(952) 941-6780
1 800-325-7425 – tollfree
E-Mail info@sickusa.com

More representatives and agencies
at www.sick.com